

# Element sauna

## Fuji

**Fuji Small** - 200.5 x 160 x 210 cm

**Fuji Large** - 200.5 x 200.5 x 210 cm

INSTRUCTIONS FOR INSTALLATION AND USE  
English

EN

DE



**Fuji Small**



**Fuji Large**

# Table of Contents

<b>1. Preparing for installation</b>	<b>3</b>
1.1. Important note	3
1.2. Tools required	4
1.3. Maintenance and cleaning	5
1.4. Disposal	5
<b>2. Parts list for Fuji Small</b>	<b>6</b>
<b>3. Parts list for Fuji Large</b>	<b>8</b>
<b>4. Floor plan for Fuji Small</b>	<b>10</b>
4.1. Left floor plan	10
4.2. Right floor plan	10
<b>5. Floor plan for Fuji Large</b>	<b>11</b>
5.1. Left floor plan	11
5.2. Right floor plan	11
<b>6. Assembling the cabin</b>	<b>12</b>
6.1. Assembling the base frame	12
6.2. Installing wall elements	12
6.3. Installing the glass frame	12
6.4. Roof installation	12
6.5. Assembling the glass elements	13
6.6. Installing interior fittings	13
6.7. Installing the glass door	13
6.8. Installing the electrical equipment	14
6.9. Installing accessories	14
6.10. Connecting the electrical equipment	14
<b>Installation illustrations</b> (after last language)	<b>17</b>

# 1. Preparing for installation

Read these assembly instructions carefully and keep them within reach when using the sauna so that you can look up product information at any time.



These installation instructions can also be found in the downloads section of our website: [www.sentiotec.com/downloads](http://www.sentiotec.com/downloads).

## 1.1. Important note

- Before you begin work, check the parts list to ensure that all the individual parts have been delivered. If you discover any missing parts, notify your dealer within 14 days of receiving the sauna cabin.
- The room that the sauna is installed in must be dry and ensure an appropriate amount of air circulation.
- The floor must be level and even, preferably a stone or tiled floor.
- A minimum cabin height of 230 cm is required for the cabin installation work.
- A distance of at least 5 cm from the wall must be maintained.
- The inside of the wooden parts used must not be handled with any impregnating material.
- Wood is a natural product that can swell, shrink or warp, despite good storage. For this reason, some force may be necessary during the installation.
- Air circulation in the sauna cabin is crucial for correct function. Please observe the dimensions for the air intake and outlet vents specified by the manufacturer of the sauna heater. If necessary, cut a rectangular cutout into the base frame before installation; holes can also be made later using a drill.
- You will need good manual skills and an assistant for the installation.
- All screw fittings must be pre-drilled.

---

### Attention!

**The electrical connection may only be performed by a qualified electrician or similarly qualified person.**

---

## 1.2. Tools required

- Hammer with a wooden head or a mallet
- Cordless screwdriver with bits for cross-head screws and Torx
- Roller tape measure
- Drill bits with a diameter of 3 mm, 10 mm, 20 - 30 mm (for sauna heater power cable)
- Spirit level
- 1.5 mm hexagonal socket wrench
- Utility knife
- Ladder



This symbol indicates tips and useful information



Back-to-front assembly



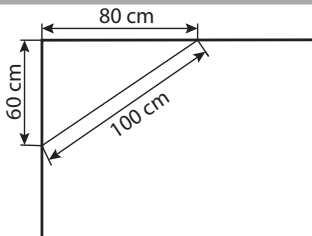
Pre-drill



Saw

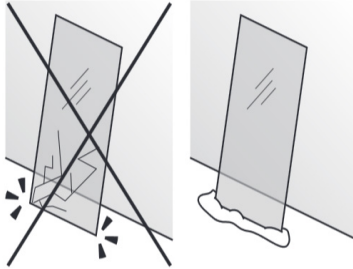


Check the right angle:





Handle glass with care: Special care must be taken with the edges of the glass – hardened glass can shatter into small pieces in the event of impact. Insert protective cushioning (e.g: cardboard box) under the edge of the glass.



### 1.3. Maintenance and cleaning

- The sauna should be cleaned with a damp cloth. Only use warm water – no cleaning products.
- We recommend heating the cabin once a month if the sauna is not used for a long time.



Pitch pockets are not grounds for return, since they can always appear in spruce wood and the depth at which they lie cannot be detected during the sorting-out process.

If these are just under the surface, heat can cause them to soften and “bleed”.

The leaking pitch can be removed with a rag soaked in acetone. If only droplets of pitch occur, allow these to harden and then carefully scrape them off with a knife.

### 1.4. Disposal



- Dispose of packaging materials in accordance with the applicable waste disposal regulations.
- Used devices contain reusable materials as well as hazardous substances. Therefore, do not dispose of your used device with household waste, but do so in accordance with the locally applicable regulations.

## 2. Parts list for Fuji Small

No. of items	Name	Dimensions (cm)
<b>Base frame</b>		
1	Base frame, rear	197.5 x 6 x 4
2	Base frame	150.5 x 6 x 4
<b>Wall elements</b>		
1	Electrical element W1	157 x 105.7 x 7.1
1	Electrical element W2	157 x 104.2 x 7.1
1	Ventilation element W3	187.5 x 105.7 x 7.1
1	Electrical element W4	187.5 x 104.2 x 7.1
1	Electrical element W5	157 x 105.7 x 7.1
1	Electrical element W6	157 x 104.2 x 7.1
1	Element above glass front, interior, black	178.1 x 11 x 4.5
1	Element above glass front, exterior, black	178.1 x 9.5 x 2.5
1	Mounting rail above door, black	68.6 x 1.7 x 0.8
<b>Roof elements</b>		
1	Roof element D1	195.5 x 75 x 7.1
1	Roof element D2	195.5 x 78 x 7.1
<b>Corner posts</b>		
2	Corner posts	198.5 x 5 x 4
1	Corner post with groove for glass, black – left	210 x 11.4 x 8
1	Corner post with groove for glass, black – right	210 x 11.4 x 8
<b>Support slats</b>		
2	Bench support slats	56 x 4 x 4
2	Bench support slats	59.5 x 4 x 4
1	Bench support slats	95 x 4 x 4
1	Bench support slats	11.5 x 4 x 4

No. of items	Name	Dimensions (cm)
<b>Interior fittings</b>		
1	Upper bench – angled bench	69.5 x 62 x 13
1	Upper bench	185.3 x 62 x 13
1	Lower bench	185.3 x 62 x 9
1	Lower bench	123.3 x 35 x 13
1	Lower bench – angled bench	72 x 62 x 13
1	Bench foot	62 x 91.5 x 6
1	Bench foot	62 x 49.5 x 6
1	Floor grid	58 x 41 x 4
2	Headrest	43 x 26 x 7
1	Ventilation slit	56 x 14 x 1.5
<b>Glass elements</b>		
1	Glass door, black	198.5 x 68 x 0.8
1	Glass element with holes for door hinges, black	201.8 x 56.3 x 0.8
1	Glass element, black	201.8 x 56.3 x 0.8
<b>Accessories</b>		
1	Door handle set, black	90 x 7 x 4
1	2 door hinges 8652-02, black	
1	Door magnet, sleeve plate, black	
2	Aluminium U-profile, black	10 x 15 x 548
2	Spacers for glass	10 x 4 x 0.3
2	LED strips, integrated into bench	185.3 x 2 x 1.6
1	Installation material set	
1	Assembly instructions	

### 3. Parts list for Fuji Large

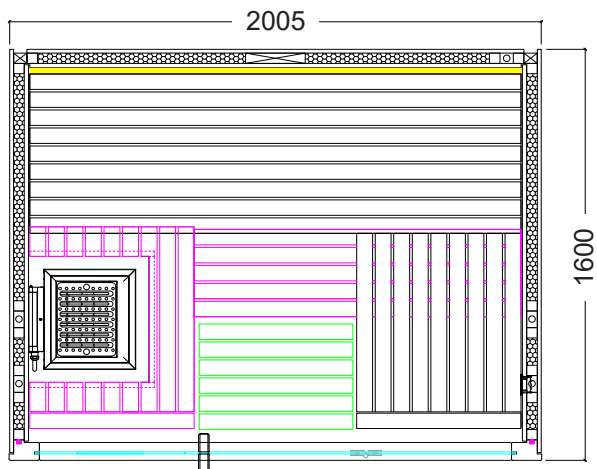
No. of items	Name	Dimensions (cm)
<b>Base frame</b>		
1	Base frame, rear	197.5 x 6 x 4
2	Base frame	191 x 6 x 4
<b>Wall elements</b>		
1	Electrical element W1	197.5 x 105.7 x 7.1
1	Electrical element W2	197.5 x 104.2 x 7.1
1	Ventilation element W3	187.5 x 105.7 x 7.1
1	Electrical element W4	187.5 x 104.2 x 7.1
1	Electrical element W5	197.5 x 105.7 x 7.1
1	Electrical element W6	197.5 x 104.2 x 7.1
1	Element above glass front, interior, black	178.1 x 11 x 4.5
1	Element above glass front, exterior, black	178.1 x 9.5 x 2.5
1	Mounting rail above door, black	68.6 x 1.7 x 0.8
<b>Roof elements</b>		
1	Roof element D1	195.5 x 38.8 x 7.1
1	Roof element D2	195.5 x 76 x 7.1
1	Roof element D3	195.5 x 79.5 x 7.1
<b>Corner posts</b>		
2	Corner posts	198.5 x 5 x 4
1	Corner post with groove for glass, black – left	210 x 11.4 x 8
1	Corner post with groove for glass, black – right	210 x 11.4 x 8
<b>Support slats</b>		
2	Bench support slats	56 x 4 x 4
2	Bench support slats	59.5 x 4 x 4
1	Bench support slats	116 x 4 x 4
1	Bench support slats	91.5 x 4 x 4



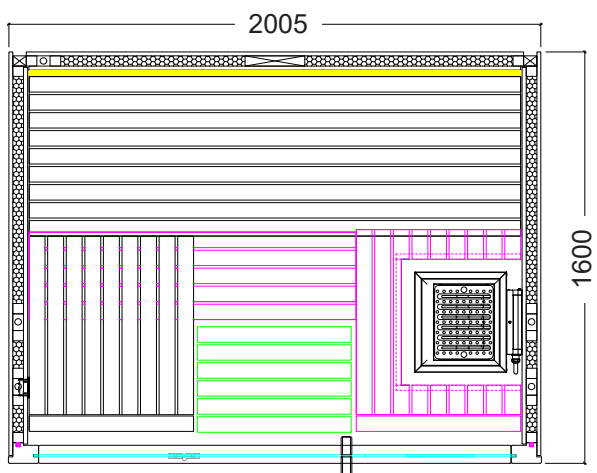
No. of items	Name	Dimensions (cm)
<b>Interior fittings</b>		
1	Upper bench – angled bench	110 x 62 x 13
1	Upper bench	185.3 x 62 x 13
1	Lower bench	185.3 x 62 x 9
1	Lower bench	123.3 x 55 x 13
1	Lower bench – angled bench	112.5 x 62 x 13
1	Bench foot	62 x 91.5 x 6
1	Bench foot	62 x 49.5 x 6
1	Floor grid	58 x 41 x 4
2	Headrest	43 x 26 x 7
1	Ventilation slit	56 x 14 x 1.5
<b>Glass elements</b>		
1	Glass door, black	198.5 x 68 x 0.8
1	Glass element with holes for door hinges, black	201.8 x 56.3 x 0.8
1	Glass element, black	201.8 x 56.3 x 0.8
<b>Accessories</b>		
1	Door handle set, black	90 x 7 x 4
1	2 door hinges 8652-02, black	
1	Door magnet, sleeve plate, black	
2	Aluminium U-profile, black	10 x 15 x 548
2	Spacers for glass	10 x 4 x 0.3
2	LED strips, integrated into bench	185.3 x 2 x 1.6
1	Installation material set	
1	Assembly instructions	

## 4. Floor plan for Fuji Small

### 4.1. Left floor plan

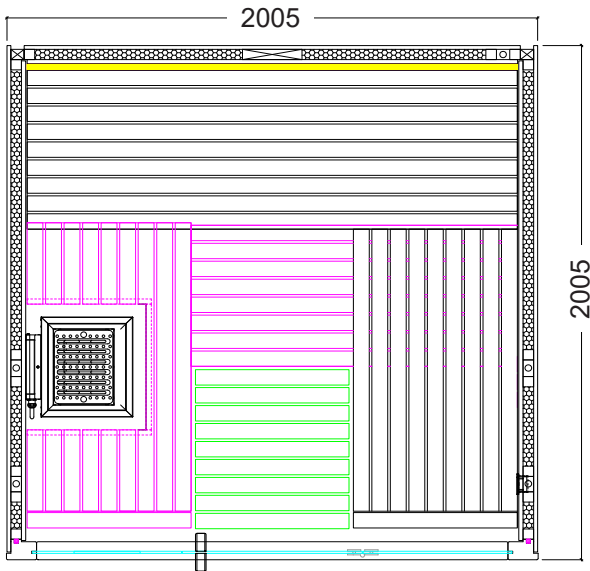


### 4.2. Right floor plan

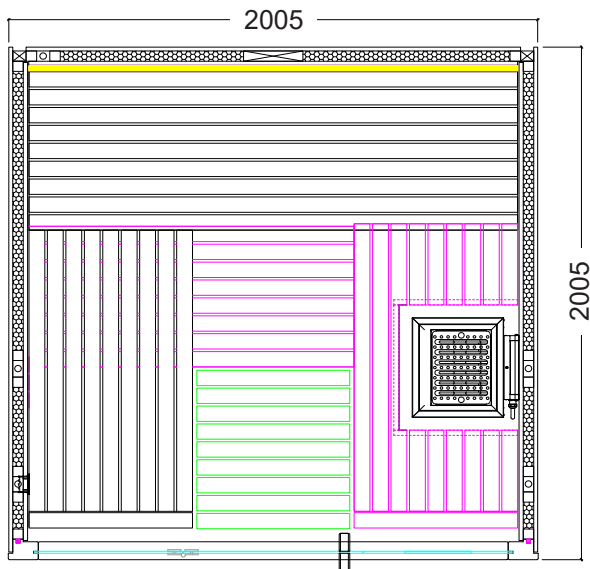


## 5. Floor plan for Fuji Large

### 5.1. Left floor plan



### 5.2. Right floor plan



## 6. Assembling the cabin

---



### ATTENTION!

The cabin is designed for both “right-hand” and “left-hand” assembly. Please observe the floor plans on pages 10 and 11, depending on model.

Observe the figures starting on page 17.

---

### 6.1. Assembling the base frame

Screw the corners of the base frame in place as shown. When doing so, make sure it is aligned horizontally (use spirit level). The gap between the floor and the base frame at the front side must be no more than 5 mm.

### 6.2. Installing wall elements

Installation of the wall elements starts with the lower rear wall (ventilation element). The corner post is first screwed flush with the lower rear wall. Next, the upper rear wall is installed, and is screwed to the corner post.

Assemble the side walls and screw these to the corner posts.

The upper side walls are screwed to the lower side walls.

The lower side walls are screwed to the base frame.

Now move the sauna to its final position and check the right angles (see tip on page 4).

### 6.3. Installing the glass frame

The corner posts with groove for glass are connected to the side walls using Multiclips. Push the corner post down onto the wall element from above. When doing this, ensure that the Multiclips and the groove for the glass are correctly aligned. The corner post must be flush with the wall element.

Insert the element into the corner post above the door. Pay attention to the alignment of the groove and the suspension fittings. Screw the element to the corner posts.

On the electrical element, draw a vertical guideline for the position of the cable shaft.

### 6.4. Roof installation

First insert the frontmost roof element and screw it to the element above the door. Insert the remaining roof elements and screw them to the cabin walls. Observe the cable outlets.

## 6.5. Assembling the glass elements



Please note that when you install the “glass element with holes for door hinges”, you are defining the direction in which the door opens (see option 1 and 2) as well as the positioning of the sauna heater.

Install the aluminium profiles.

Position the glass element centrally in the door frame, ensuring straight alignment, and the position of the stamps. Slide the glass elements to the left and right, respectively, into the grooves in the corner posts.

Insert the “mounting rail above the door” between the glass elements.

The “element above the glass panel, black” is secured using suspension fittings.

## 6.6. Installing interior fittings

Install the bench support slats.

Mount the ventilation slide.

Start by placing the upper bench on the bench support slats provided for this purpose.

Screw the bench foot to the upper angled bench outside the cabin, then move it into position and screw it to the rear upper bench.

Lay the cables for the lighting and drill a hole (approx. Ø 1 cm) in the rear wall for each cable.

Route the cables as far as the cabin roof.

Install the lower benches.

Screw the bench foot to the lower angled bench outside the cabin, then move it into position and screw it to the rear lower bench.

## 6.7. Installing the glass door

Screw the two door fittings onto the glass element, making sure that they are straight and that the doors open outward.



The alignment of the fittings is achieved by adjusting / rotating both plastic inserts.

## 6.8. Installing the electrical equipment

You need a hole in the cable shaft behind the heater measuring  $\varnothing$  2 cm for the heater supply cable. Use your vertical guideline (6.3.). Drill the cable outlet at a right angle and route the cable as far as the roof to the power unit for the sauna control ( $5 \times 2.5 \text{ mm}^2$  for Home fin and Home Premium fin /  $7 \times 2.5 \text{ mm}^2$  for Home combi and Home Premium combi).

Repeat for the heater sensor -  $\varnothing$  1 cm, on the wall centrally above the heater - 15 cm below the ceiling.

Repeat for the bench sensor / humidity/temperature sensor -  $\varnothing$  3 cm, opposite the heater sensor on the wall - 15 cm below the ceiling.

You need a rectangular cutout for the control panel for the sauna control. You can use the template to determine the position and size. Route the data cable as far as the cabin roof to the power unit for the sauna control.



---

Observe the operating instructions for your sauna heater and the sauna control.

---

## 6.9. Installing accessories

The door handles are screwed together from the inside.

Fit the door magnet and sleeve plate. There are mounting holes under the seal for the door magnet; the seal needs to be cut depending on how the door opens.

Position the floor grid.

## 6.10. Connecting the electrical equipment



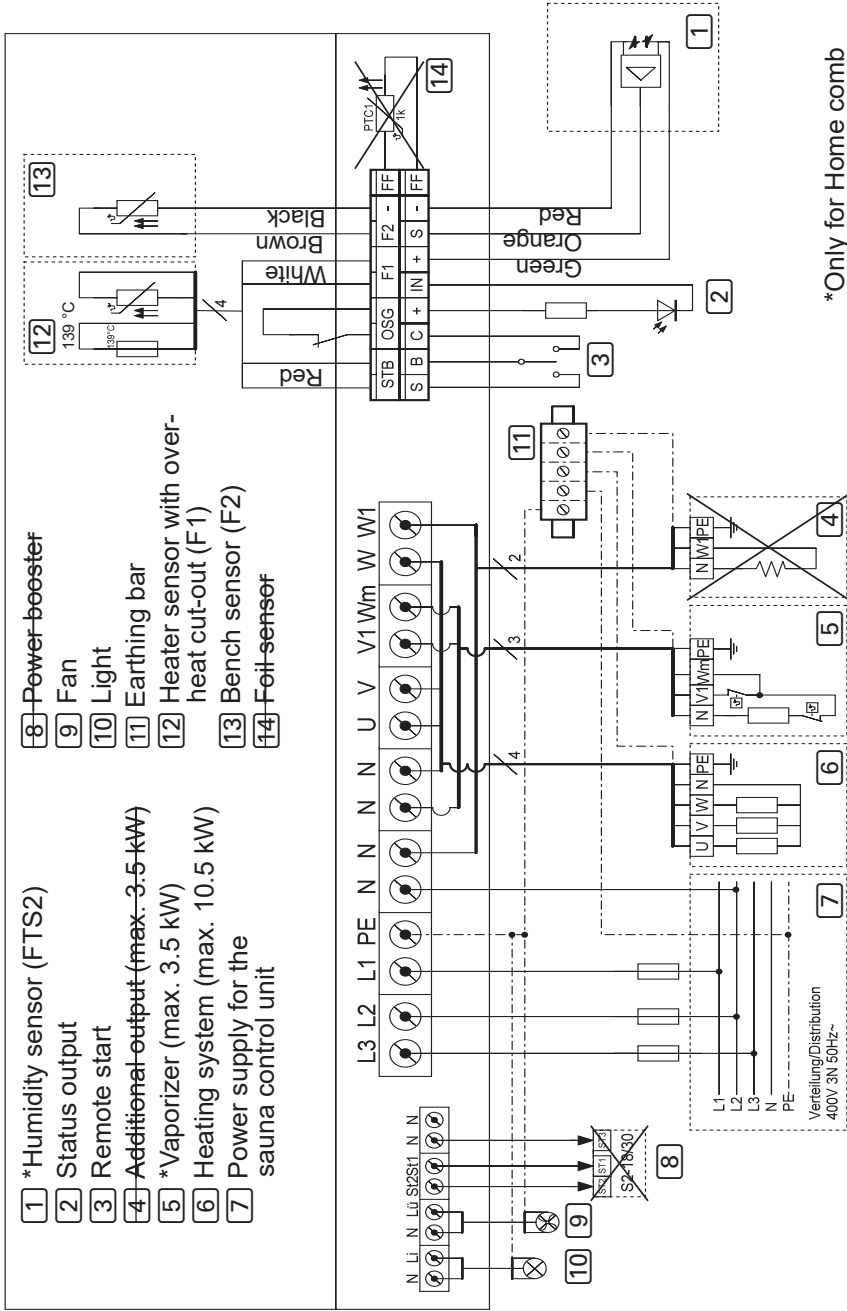
### **ATTENTION!**

Installation may only be performed by a qualified electrician or similarly qualified person.

---

Power unit

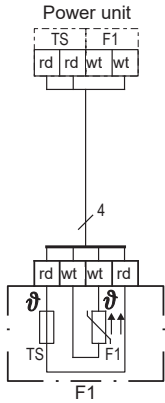
Fig.1 Connection diagram



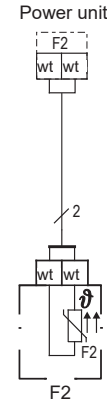
\*Only for Home comb



### Heater sensor (F1)



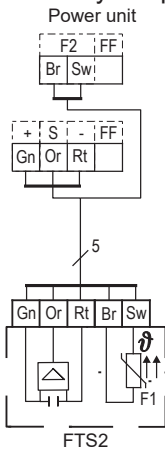
### Bench sensor (F2)



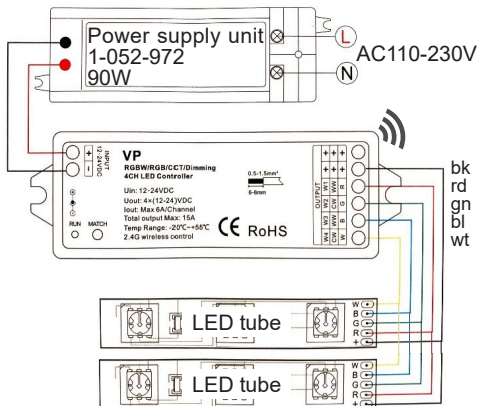
### Colour code:

- bk - Black
- rd - Red
- gn - Green
- bl - Blue
- wt - White
- br - Brown
- or - Orange

### Humidity/temperature sensor (FTS2)



### Connecting the LEDs





# Elementsauna

## Fuji

**Fuji Small** - 200,5 x 160 x 210 cm

**Fuji Large** - 200,5 x 200,5 x 210 cm

### MONTAGEANLEITUNG

Deutsch

DE



**Fuji Small**



**Fuji Large**

# Inhaltsverzeichnis

<b>1. Montage Vorbereitung</b>	<b>3</b>
1.1. Wichtige Hinweise	3
1.2. Benötigtes Werkzeug	4
1.3. Wartung und Reinigung	5
1.4. Entsorgung	5
<b>2. Stückliste Fuji Small</b>	<b>6</b>
<b>3. Stückliste Fuji Large</b>	<b>8</b>
<b>4. Grundriss Fuji Small</b>	<b>10</b>
4.1. Grundriss „links“	10
4.2. Grundriss „rechts“	10
<b>5. Grundriss Fuji Large</b>	<b>11</b>
5.1. Grundriss „links“	11
5.2. Grundriss „rechts“	11
<b>6. Montage Kabine</b>	<b>12</b>
6.1. Montage Bodenrahmen	12
6.2. Montage Wandelemente	12
6.3. Montage Glasrahmen	12
6.4. Montage Dach	12
6.5. Montage Glaselemente	13
6.6. Montage Inneneinrichtung	13
6.7. Montage Glastür	13
6.8. Montage Elektrogeräte	14
6.9. Montage Zubehör	14
6.10. Anschluss Elektrogeräte	14
<b>Montage Abbildungen</b> (nach der letzten Sprache)	<b>17</b>

# 1. Montage Vorbereitung

Lesen Sie diese Montageanleitung gut durch und bewahren Sie sie in der Nähe der Sauna auf. So können Sie jederzeit Produktinformationen nachlesen.



Sie finden diese Montageanleitung auch im Downloadbereich unserer Webseite auf [www.sentiotec.com/downloads](http://www.sentiotec.com/downloads).

## 1.1. Wichtige Hinweise

- Kontrollieren Sie, bevor Sie mit der Arbeit beginnen, anhand der Stückliste, ob alle Einzelteile auch tatsächlich mitgeliefert wurden. Sollten Einzelteile ausnahmsweise fehlen, benachrichtigen Sie spätestens 14 Tage nach Erhalt der Kabine Ihren Händler.
- Der Raum, in dem die Saunakabine montiert wird, muss trocken sein und eine entsprechende Luftzirkulation gewährleisten.
- Der Fußboden muss waagrecht und eben sein, bevorzugt Stein- oder Fliesenboden.
- Für die Montagearbeiten der Kabine wird eine Mindestraumhöhe von 230 cm benötigt.
- Es muss ein Wandabstand von mindestens 5 cm eingehalten werden.
- Die Innen zu verwendenden Holzteile dürfen nicht mit Imprägniermittel behandelt werden.
- Holz ist ein Naturprodukt, das trotz guter Lagerung aufquellen, schwinden oder sich verziehen kann. Aus diesem Grund kann es vorkommen, dass bei der Montage etwas Kraft aufgebracht werden muss.
- Die Luftzirkulation in der Saunakabine ist entscheidend für die Funktionalität. Beachten Sie die Abmessungen der Zu- und Abluftöffnungen der Herstellerangaben des Saunaofens. Schneiden Sie ggf. vor der Montage einen rechteckigen Ausschnitt in den Bodenrahmen; Löcher mittels Bohrer sind auch nachträglich möglich.
- Für die Montage benötigen Sie handwerkliche Begabung und einen Helfer.
- Alle Verschraubungen müssen vorgebohrt werden.

---

### Achtung!

**Der Elektroanschluss darf nur durch eine Elektrofachkraft oder eine vergleichsweise qualifizierte Person ausgeführt werden.**

---

## 1.2. Benötigtes Werkzeug

- Hammer und Beilageholz oder einen Gummihammer
- Akkuschauber mit Bits für Kreuzschrauben und Torx
- Rollmaßband
- Bohrer mit Durchmesser 3 mm, 10 mm, 20 - 30 mm (für Stromkabel Saunaofen)
- Wasserwaage
- Innensechskant-Schlüssel 1,5 mm
- Universalmesser
- Leiter



Dieses Symbol kennzeichnet Tipps und nützliche Hinweise



gespiegelter Aufbau



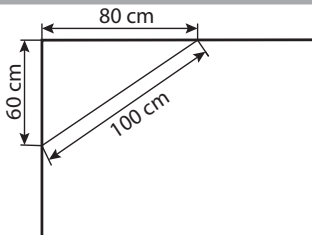
Vorbohren



Sägen

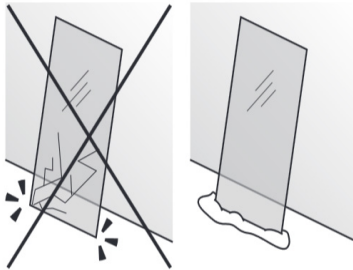


Überprüfung des rechten Winkel:





Vorsichtiger Umgang mit Glas: Besondere Vorsicht gilt den Glaskanten - Gehärtetes Glas kann bei Stößen in kleine Scherben zerspringen. Legen Sie ein Schutzpolster (z.Bsp.: Verpackungs-Karton) unter die Glaskante.



### 1.3. Wartung und Reinigung

- Die Sauna sollte mit einem feuchten Tuch gereinigt werden. Verwenden Sie nur warmes Wasser - keine Reinigungsmittel.
- Wird die Sauna längere Zeit nicht benutzt, empfehlen wir, die Kabine einmal im Monat aufzuheizen.



Harzgallen sind kein Reklamationsgrund. Da in Fichtenholz immer wieder Harzgallen vorkommen und man beim Aussortieren nicht erkennen kann in welcher Tiefe diese sich befinden.

Wenn diese knapp unter der Oberfläche sind brechen sie bei Hitzeentwicklung auf und „bluten“ aus.

Das ausgelaufene Harz kann man mit einem Aceton gedrängtem Lappen entfernen. Wenn lediglich Harztropfen entstehen, lassen Sie diese aushärten und schaben sie anschließend mit einem Messer vorsichtig ab.

### 1.4. Entsorgung



- Entsorgen Sie die Verpackungsmaterialien nach den gültigen Entsorgungsrichtlinien.
- Altgeräte enthalten wiederverwendbare Materialien, aber auch schädliche Stoffe. Geben Sie Ihr Altgerät deshalb auf keinen Fall in den Restmüll, sondern entsorgen Sie das Gerät nach den örtlich geltenden Vorschriften.

## 2. Stückliste Fuji Small

Az	Bezeichnung	Maße (cm)
<b>Bodenrahmen</b>		
1	Bodenrahmen Rückseite	197,5 x 6 x 4
2	Bodenrahmen	150,5 x 6 x 4
<b>Wandelemente</b>		
1	Elektroelement W1	157 x 105,7 x 7,1
1	Elektroelement W2	157 x 104,2 x 7,1
1	Lüftungselement W3	187,5 x 105,7 x 7,1
1	Elektroelement W4	187,5 x 104,2 x 7,1
1	Elektroelement W5	157 x 105,7 x 7,1
1	Elektroelement W6	157 x 104,2 x 7,1
1	Element oberhalb Glasfront Innen, schwarz	178,1 x 11 x 4,5
1	Element oberhalb Glasfront Außen, schwarz	178,1 x 9,5 x 2,5
1	Montageleisten oberhalb Tür, schwarz	68,6 x 1,7 x 0,8
<b>Dachelemente</b>		
1	Dachelement D1	195,5 x 75 x 7,1
1	Dachelement D2	195,5 x 78 x 7,1
<b>Ecksteher</b>		
2	Ecksteher	198,5 x 5 x 4
1	Ecksteher mit Nut für Glas, schwarz - links	210 x 11,4 x 8
1	Ecksteher mit Nut für Glas, schwarz - rechts	210 x 11,4 x 8
<b>Auflageleisten</b>		
2	Bankauflageleisten	56 x 4 x 4
2	Bankauflageleisten	59,5 x 4 x 4
1	Bankauflageleisten	95 x 4 x 4
1	Bankauflageleisten	11,5 x 4 x 4

<b>Az</b>	<b>Bezeichnung</b>	<b>Maße (cm)</b>
<b>Inneneinrichtung</b>		
1	Obere Bank - Winkelbank	69,5 x 62 x 13
1	Obere Bank	185,3 x 62 x 13
1	Untere Bank	185,3 x 62 x 9
1	Untere Bank	123,3 x 35 x 13
1	Untere Bank - Winkelbank	72 x 62 x 13
1	Bankfuß	62 x 91,5 x 6
1	Bankfuß	62 x 49,5 x 6
1	Bodenrost	58 x 41 x 4
2	Kopfstütze	43 x 26 x 7
1	Lüftungsschieber	56 x 14 x 1,5
<b>Glaselemente</b>		
1	Glastür schwarz	198,5 x 68 x 0,8
1	Glaselement mit Bohrungen für Türbänder, schwarz	201,8 x 56,3 x 0,8
1	Glaselement schwarz	201,8 x 56,3 x 0,8
<b>Zubehör</b>		
1	Türgriff Set, schwarz	90 x 7 x 4
1	2 Türbänder 8652-02, schwarz	
1	Türmagnet, Überschublech, schwarz	
2	U-Alu Profil, schwarz	10 x 15 x 548
2	Abstandshalter für Glas	10 x 4 x 0,3
2	LED-Leisten, integriert in Bank	185,3 x 2 x 1,6
1	Montagematerialset	
1	Montageanleitung	

### 3. Stückliste Fuji Large

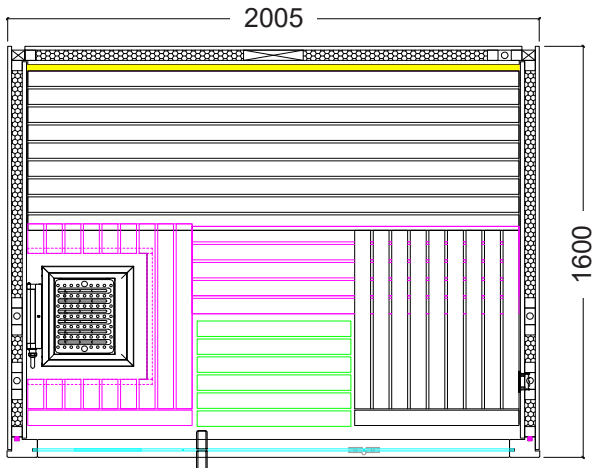
Az	Bezeichnung	Maße (cm)
<b>Bodenrahmen</b>		
1	Bodenrahmen Rückseite	197,5 x 6 x 4
2	Bodenrahmen	191 x 6 x 4
<b>Wandelemente</b>		
1	Elektroelement W1	197,5 x 105,7 x 7,1
1	Elektroelement W2	197,5 x 104,2 x 7,1
1	Lüftungselement W3	187,5 x 105,7 x 7,1
1	Elektroelement W4	187,5 x 104,2 x 7,1
1	Elektroelement W5	197,5 x 105,7 x 7,1
1	Elektroelement W6	197,5 x 104,2 x 7,1
1	Element oberhalb Glasfront Innen, schwarz	178,1 x 11 x 4,5
1	Element oberhalb Glasfront Außen, schwarz	178,1 x 9,5 x 2,5
1	Montageleisten oberhalb Tür, schwarz	68,6 x 1,7 x 0,8
<b>Dachelemente</b>		
1	Dachelement D1	195,5 x 38,8 x 7,1
1	Dachelement D2	195,5 x 76 x 7,1
1	Dachelement D3	195,5 x 79,5 x 7,1
<b>Ecksteher</b>		
2	Ecksteher	198,5 x 5 x 4
1	Ecksteher mit Nut für Glas, schwarz - links	210 x 11,4 x 8
1	Ecksteher mit Nut für Glas, schwarz - rechts	210 x 11,4 x 8
<b>Auflageleisten</b>		
2	Bankauflageleisten	56 x 4 x 4
2	Bankauflageleisten	59,5 x 4 x 4
1	Bankauflageleisten	116 x 4 x 4
1	Bankauflageleisten	91,5 x 4 x 4



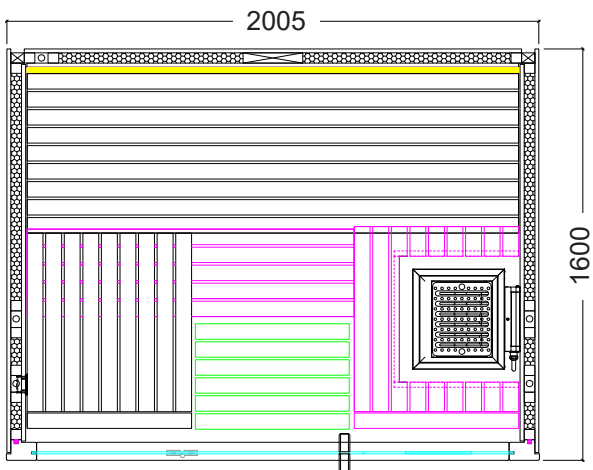
<b>Az</b>	<b>Bezeichnung</b>	<b>Maße (cm)</b>
<b>Inneneinrichtung</b>		
1	Obere Bank - Winkelbank	110 x 62 x 13
1	Obere Bank	185,3 x 62 x 13
1	Untere Bank	185,3 x 62 x 9
1	Untere Bank	123,3 x 55 x 13
1	Untere Bank - Winkelbank	112,5 x 62 x 13
1	Bankfuß	62 x 91,5 x 6
1	Bankfuß	62 x 49,5 x 6
1	Bodenrost	58 x 41 x 4
2	Kopfstütze	43 x 26 x 7
1	Lüftungsschieber	56 x 14 x 1,5
<b>Glaselemente</b>		
1	Glastür schwarz	198,5 x 68 x 0,8
1	Glaselement mit Bohrungen für Türbänder schwarz	201,8 x 56,3 x 0,8
1	Glaselement schwarz	201,8 x 56,3 x 0,8
<b>Zubehör</b>		
1	Türgriff Set, schwarz	90 x 7 x 4
1	2 Türbänder 8652-02, schwarz	
1	Türmagnet, Überschublech, schwarz	
2	U-Alu Profil, schwarz	10 x 15 x 548
2	Abstandshalter für Glas	10 x 4 x 0,3
2	LED-Leisten, integriert in Bank	185,3 x 2 x 1,6
1	Montagematerialset	
1	Montageanleitung	

## 4. Grundriss Fuji Small

### 4.1. Grundriss „links“

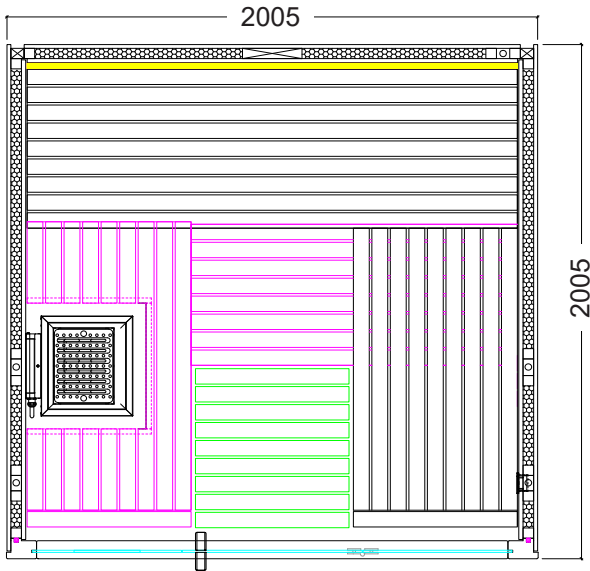


### 4.2. Grundriss „rechts“

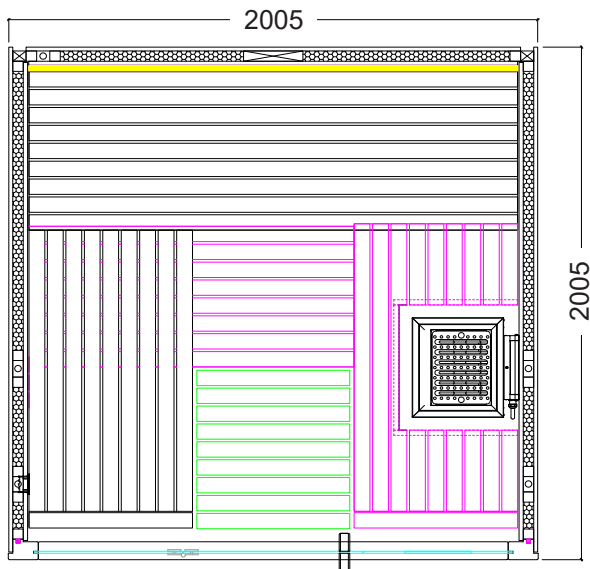


## 5. Grundriss Fuji Large

### 5.1. Grundriss „links“



### 5.2. Grundriss „rechts“



## 6. Montage Kabine

---



### **ACHTUNG!**

Die Kabine kann „links“ oder „rechts“ aufgebaut werden, beachten Sie dazu die Grundrisspläne auf den Seiten 10 bis 11, je nach Modell.

Beachten Sie die Abbildungen ab Seite 17.

---

### 6.1. Montage Bodenrahmen

Verschrauben Sie die Ecken des Bodenrahmens wie abgebildet. Achten Sie dabei auf die waagrechte Ausrichtung (Wasserwaage). Der Spalt zwischen Boden und Bodenrahmen darf an der Vorderseite maximal 5 mm sein.

### 6.2. Montage Wandelemente

Beginnen Sie die Montage der Wandelemente mit der unteren Rückwand (Lüftungselement). Der Ecksteher wird zuerst bündig mit der unteren Rückwand verschraubt. Dann erfolgt die Montage der oberen Rückwand, diese wird mit dem Ecksteher verschraubt.

Montage der Seitenwände und verschrauben mit den Eckstehern.

Die oberen Seitenwände werden mit den unteren Seitenwänden verschraubt.

Die unteren Seitenwände werden mit dem Bodenrahmen verschraubt.

Rücken Sie die Sauna nun an die endgültige Position und kontrollieren Sie die rechten Winkel (siehe Tipp auf Seite 4).

### 6.3. Montage Glasrahmen

Die Ecksteher mit Nut für Glas werden mittels „Multiclips“ mit den Seitenwänden verbunden. Stecken Sie den Ecksteher von oben nach unten auf das Wandelement. Achten Sie dabei auf die korrekte Ausrichtung der „Multiclips“ und die Nut für das Glas. Der Ecksteher muss bündig mit dem Wandelement sein.

Stecken Sie das Element oberhalb der Tür in die Ecksteher. Achten Sie auf die Ausrichtung der Nut und der Einhängebeschläge. Verschrauben Sie das Element mit den Eckstehern.

Zeichnen Sie sich am Elektroelement eine vertikale Hilfslinie für die Lage des Kabelschachts.

### 6.4. Montage Dach

Legen Sie zuerst das vordeste Dachelement ein und verschrauben es mit dem Element oberhalb der Tür. Legen Sie die restlichen Dachelemente ein und verschrauben diese mit den Kabinenwänden. Beachten Sie die Kabelausslässe.

## 6.5. Montage Glaselemente



Beachten Sie, dass Sie mit dem Einbau des „Glaselement mit Bohrungen für Türbänder“ die Richtung der Türöffnung festlegen (siehe Option 1 und 2), sowie die Platzierung des Saunaofens.

Montage der Alu-Profile.

Stellen Sie das Glaselement mittig in den Türrahmen, achten Sie auf eine gerade Ausrichtung und die Position der Stempel. Schieben die Glaselemente links bzw. rechts in die Nut der Ecksteher.

Montieren Sie die „Montageleiste oberhalb der Tür“ zwischen den Glaselementen. Das „Element oberhalb der Glasfront, schwarz“ wird mittels Einhängebeschläge befestigt.

## 6.6. Montage Inneneinrichtung

Montage Bankauflageleisten.

Montage Lüftungsschieber.

Legen Sie zuerst die obere Bank auf die dafür vorgesehenen Bankauflageleisten. Verschrauben Sie den Bankfuß mit der oberen Winkelbank außerhalb der Kabine, platzieren diese dann und verschrauben Sie mit der hinteren oberen Bank. Verlegen Sie die Kabel für die Beleuchtung und bohren Sie für jedes Kabel ein Loch (ca. Ø 1 cm) in die Rückwand.

Verlegen Sie das Kabel bis aufs Kabinendach.

Montage der unteren Bänke.

Verschrauben Sie den Bankfuß mit der unteren Winkelbank außerhalb der Kabine, platzieren diese dann und verschrauben Sie mit der hinteren unteren Bank.

## 6.7. Montage Glastür

Schrauben Sie die beiden Türbeschläge am Fix-Glaselement fest, achten sie dabei auf die gerade Ausrichtung der Beschläge und darauf, dass die Öffnung der Türe nach außen erfolgt.



Die Ausrichtung der Beschläge wird durch die Justierung / Drehung der beiden Kunststoffeinlagen vorgenommen.

## 6.8. Montage Elektrogeräte

Für die Ofenzuleitung benötigen Sie ein  $\varnothing$  2 cm großes Loch hinter dem Ofen in den Kabelschacht. Nutzen Sie Ihre vertikale Hilfslinie (6.3.). Bohren Sie im rechten Winkel den Kabelauslass und verlegen Sie das Kabel bis aufs Dach zum Leistungsteil der Saunasteuerung (5 x 2,5 mm<sup>2</sup> für Home fin / 7 x 2,5 mm<sup>2</sup> für Home combi).

Wiederholen Sie dies für den Ofenfühler -  $\varnothing$  1 cm, an der Wand mittig über dem Ofen - 15 cm unter der Decke.

Wiederholen Sie dies für den Bankfühler / Feuchte-Temperatursensor -  $\varnothing$  3 cm, gegenüber dem Ofenfühler an der Wand - 15 cm unter der Decke.

Für das Bedienteil der Saunasteuerung benötigen Sie einen rechteckigen Ausschnitt. Mit Hilfe der Schablone können Sie die Position und Größe festlegen. Verlegen Sie das Datenkabel bis aufs Dach zum Leistungsteil der Saunasteuerung.



Beachten Sie die Bedienungsanleitung Ihres Saunaofens und der Saunasteuerung.

## 6.9. Montage Zubehör

Die Türgriffe werden von innen miteinander verschraubt.

Montage von Türmagnet und Überschublech. Für den Türmagnet sind unter der Dichtung Montagebohrungen vorhanden, je nach Türöffnung muss die Dichtung ausgeschnitten werden.

Legen Sie den Bodenrost ein.

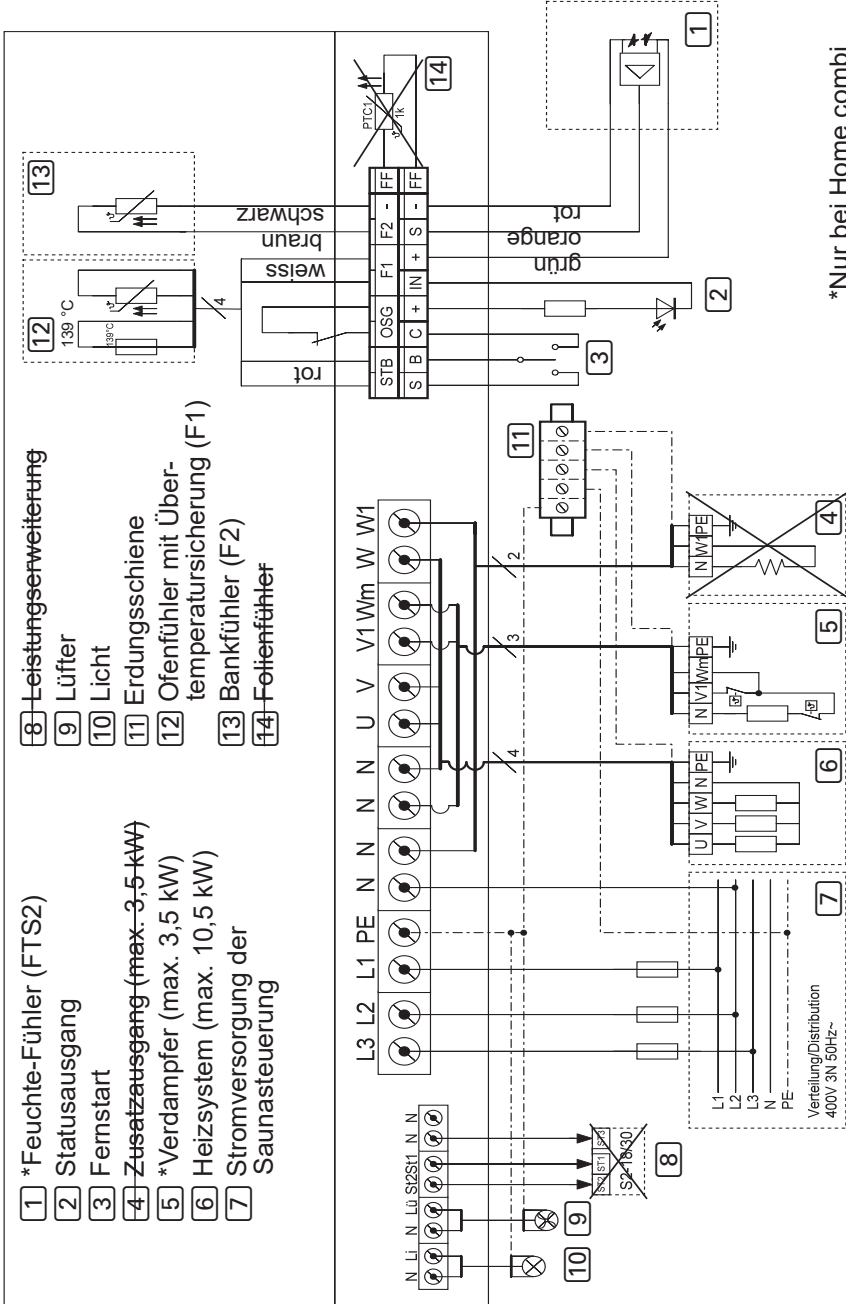
## 6.10. Anschluss Elektrogeräte



### **ACHTUNG!**

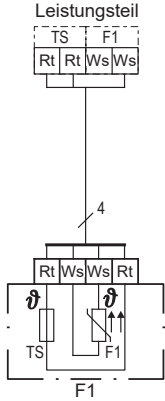
Die Montage darf nur durch eine Elektrofachkraft oder eine vergleichsweise qualifizierte Person ausgeführt werden.

Leistungsteil

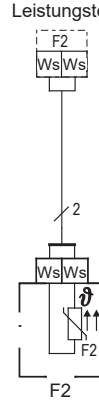


\*Nur bei Home combi

**Ofenfühler (F1)**



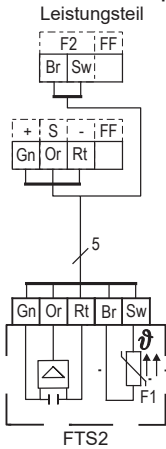
**Bankfühler (F2)**



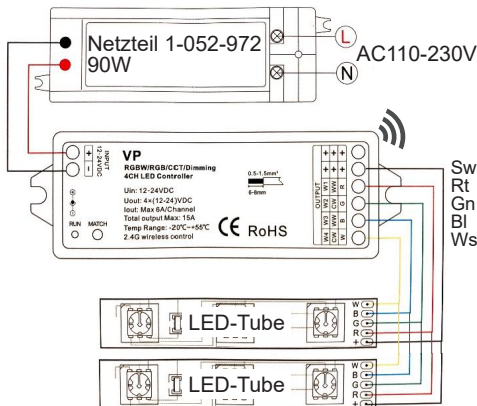
**Farbcode:**

- Sw - Schwarz
- Rt - Rot
- Gn - Grün
- Bl - Blau
- Ws - Weiß
- Br - Braun
- Or - Orange

**Feuchte-Tempersensur (FTS2)**

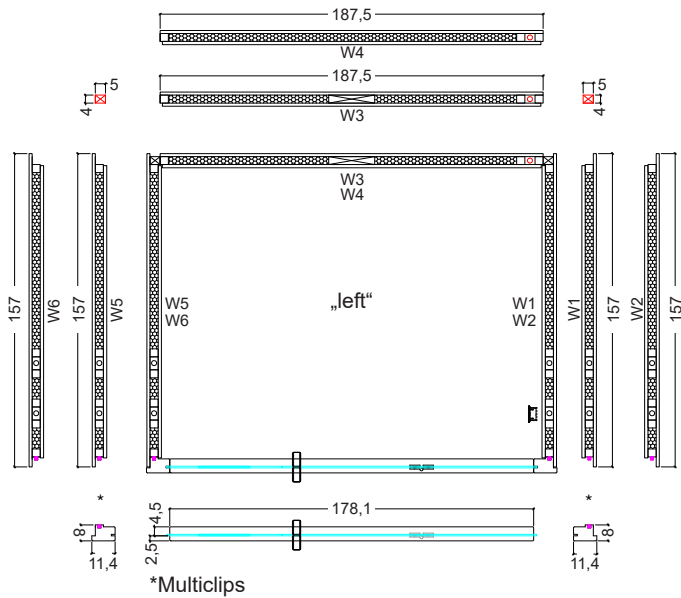
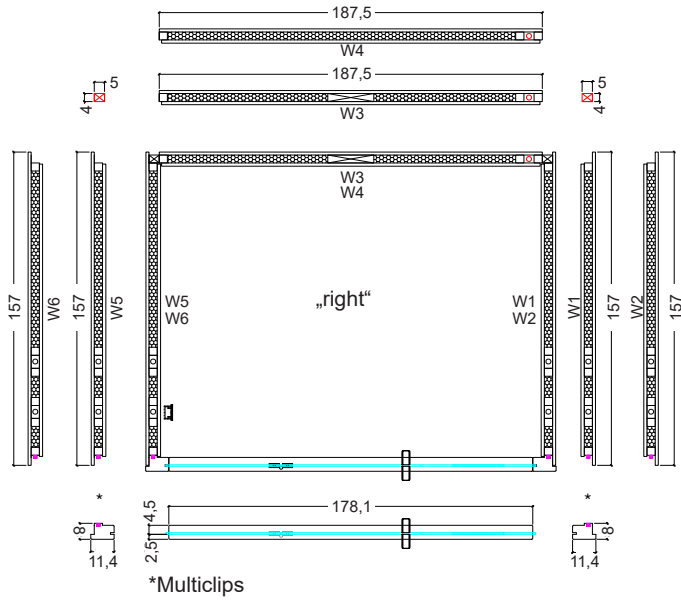


**Anschluss LEDs**

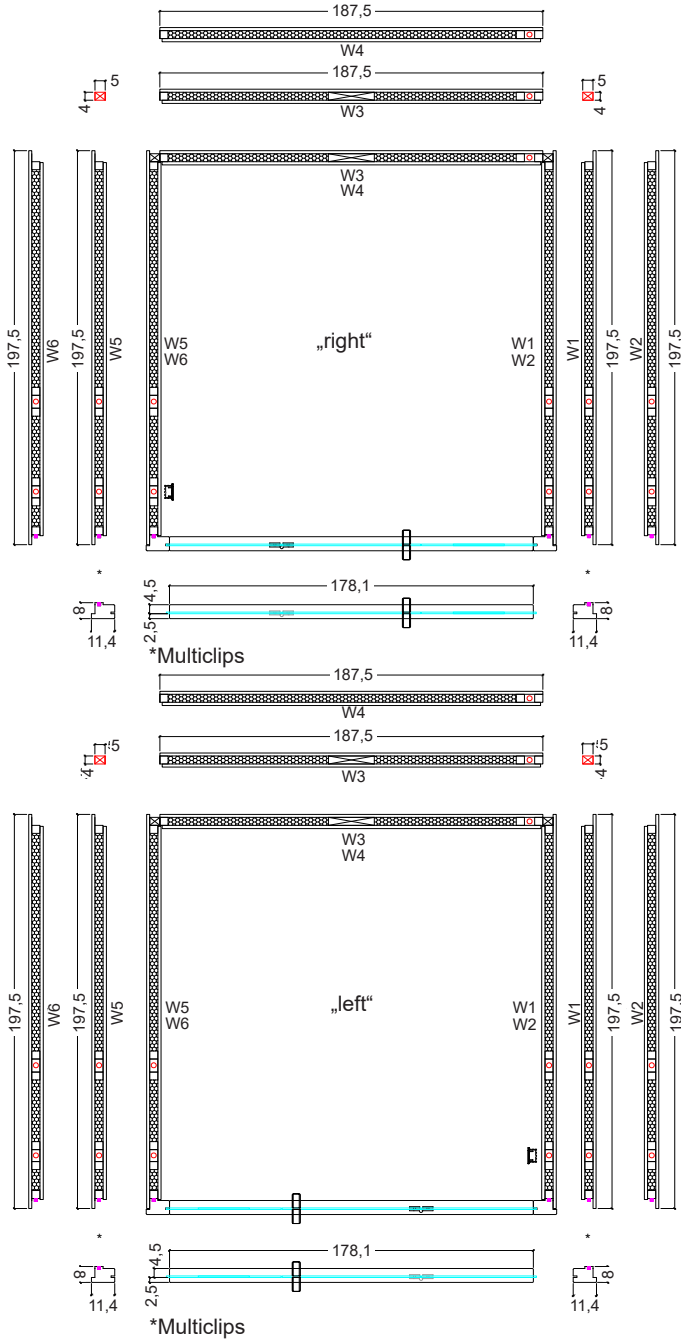




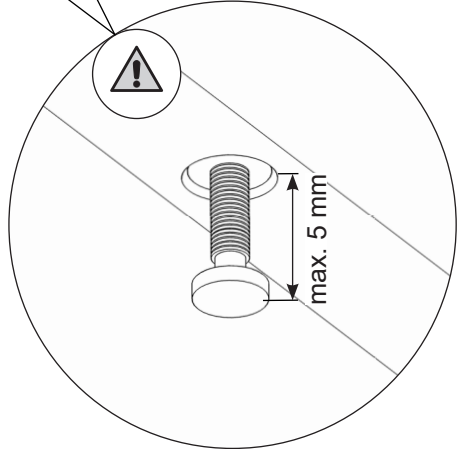
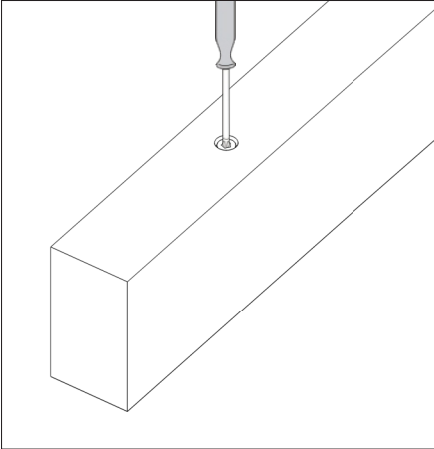
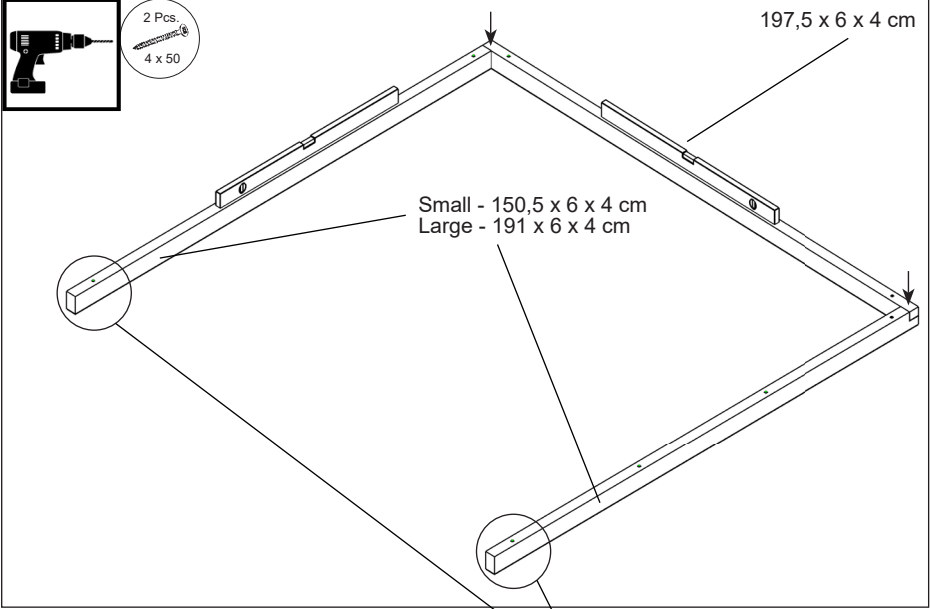
# Fuji Small



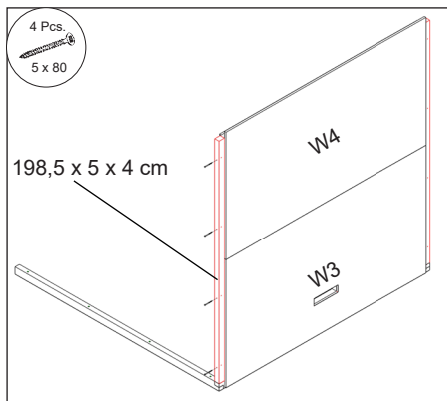
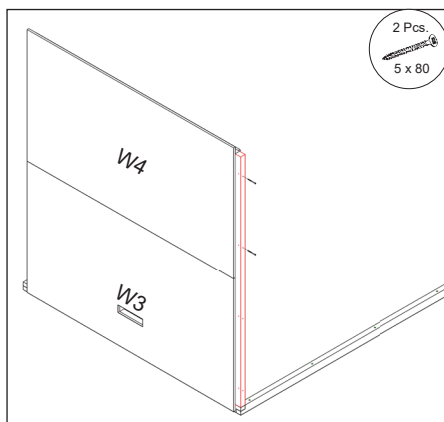
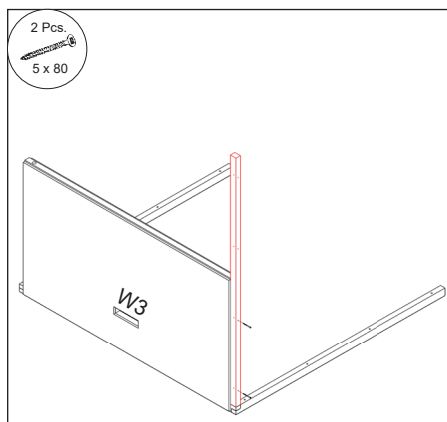
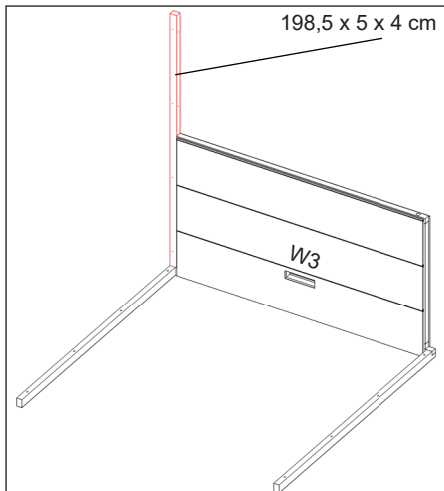
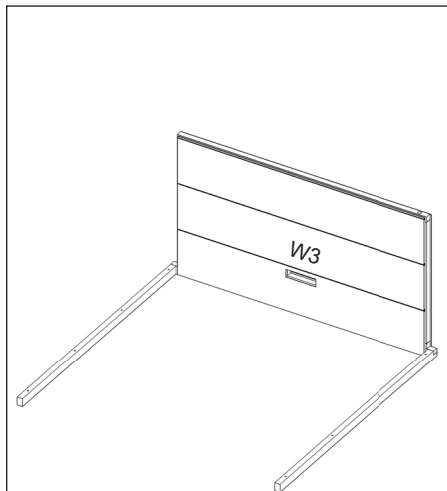
# Fuji Large

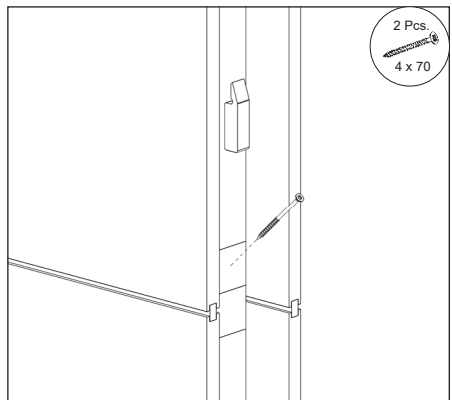
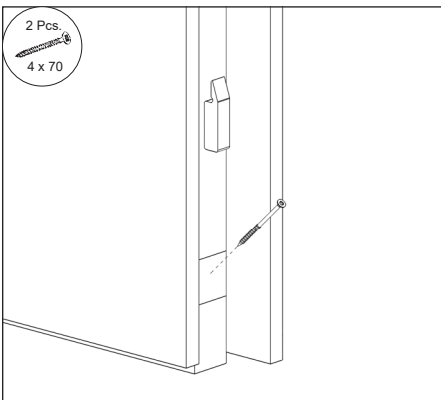
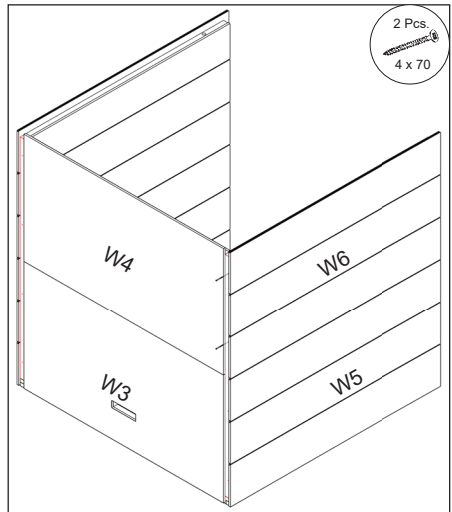
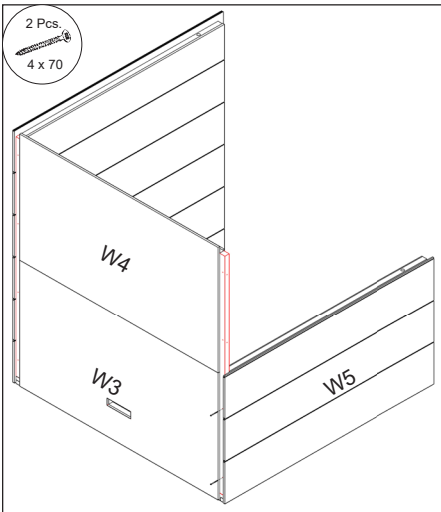
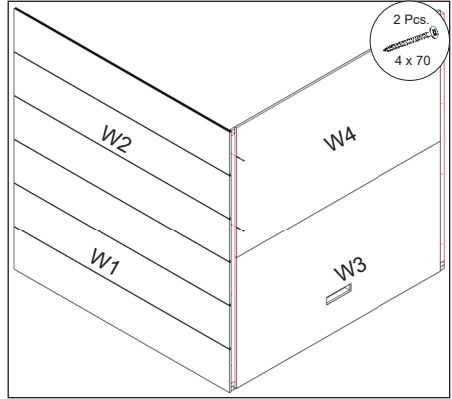
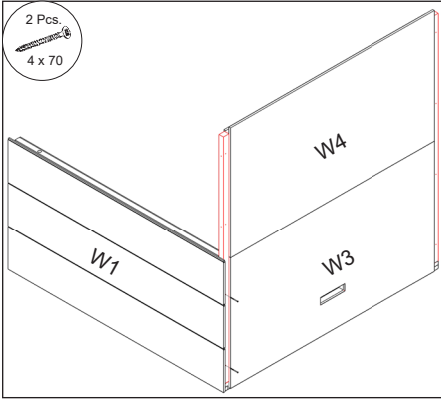


# 6.1.

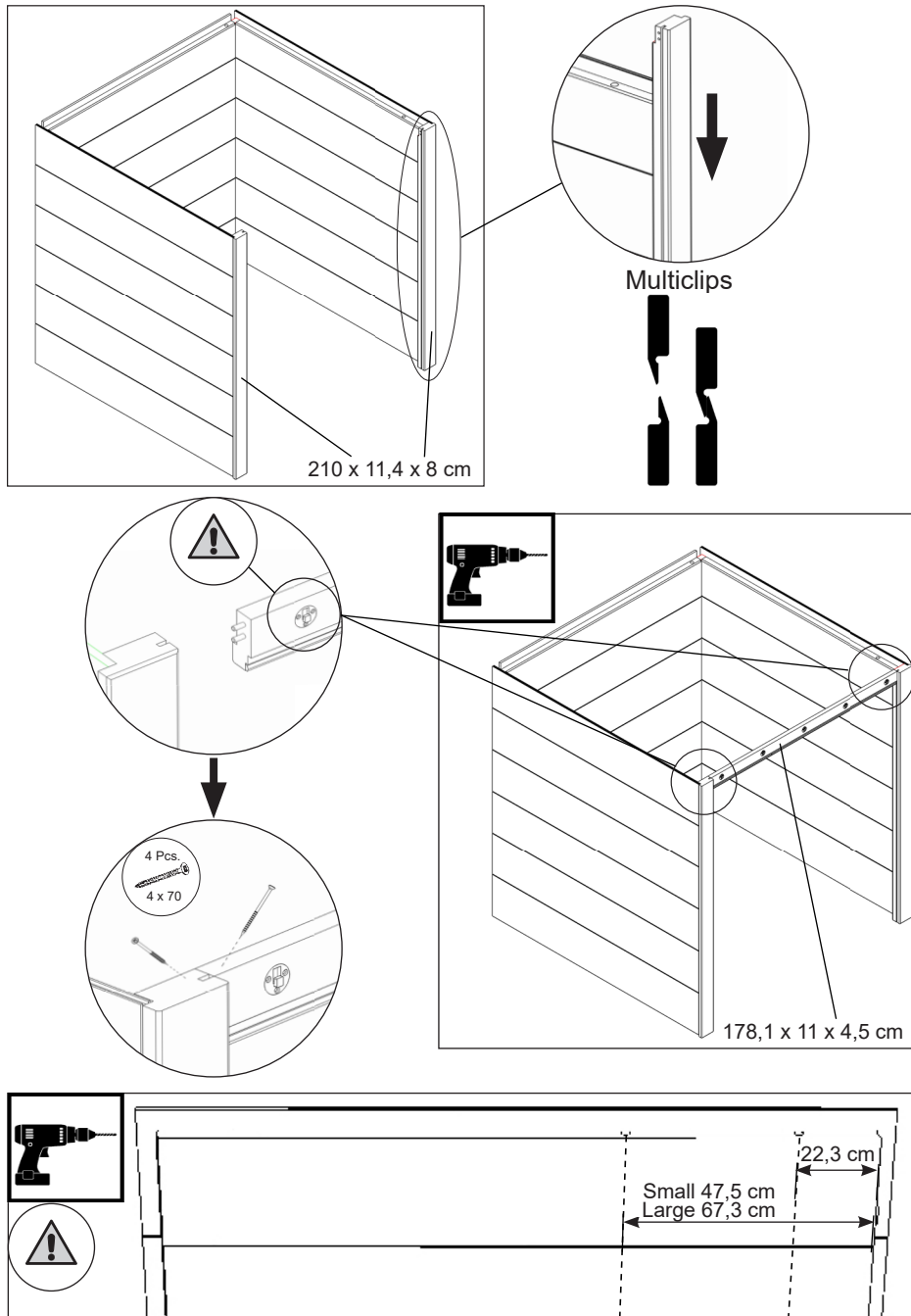


### 6.2.

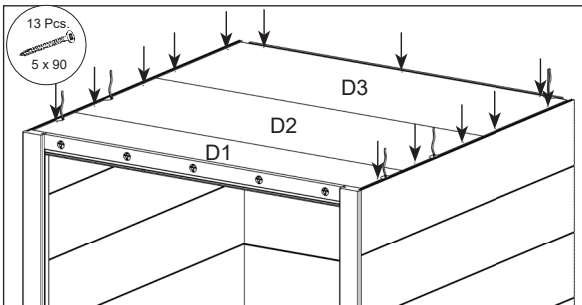
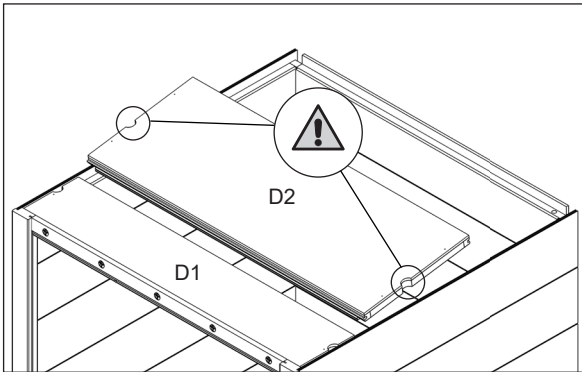
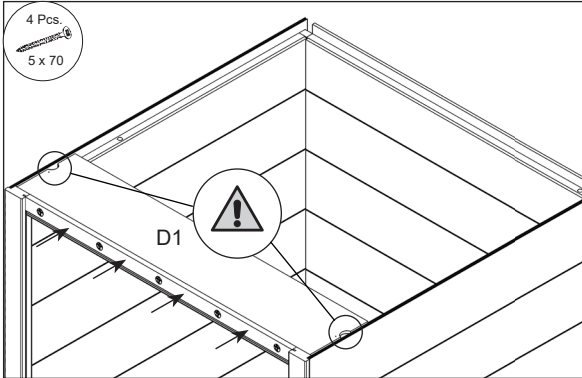




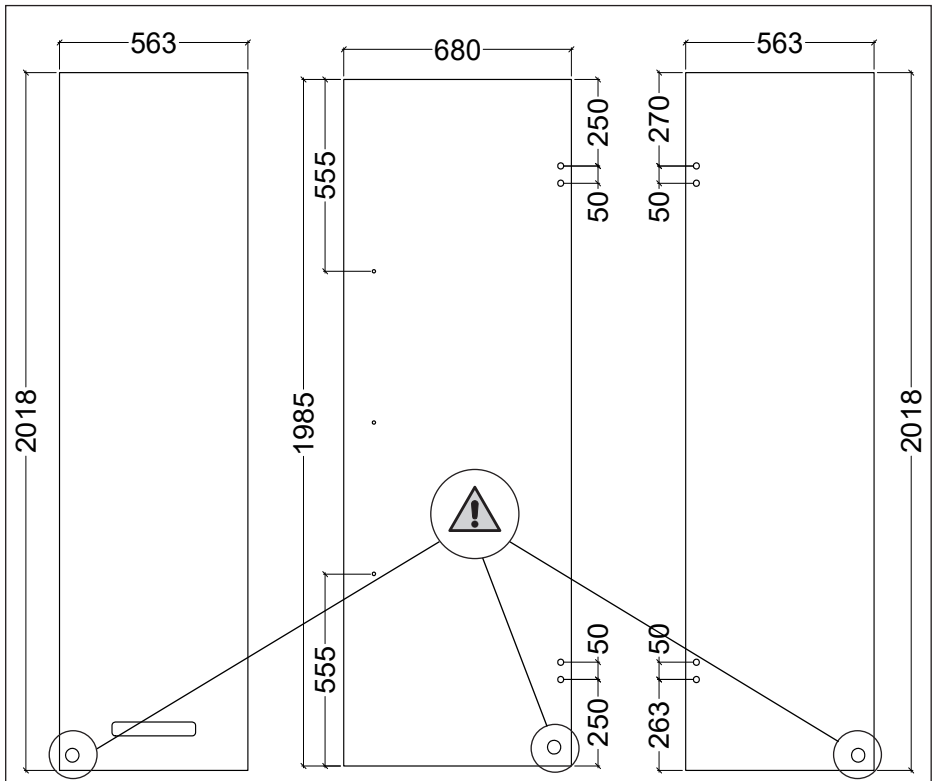
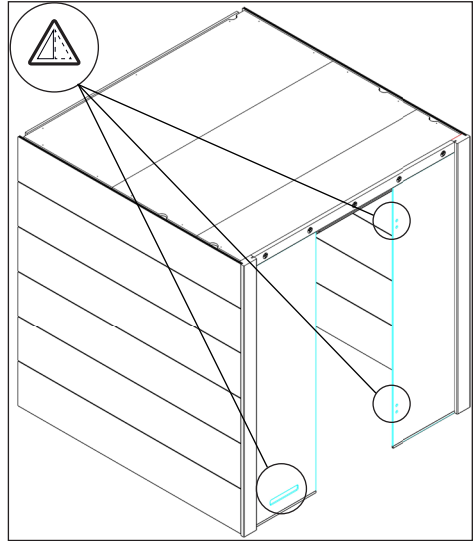
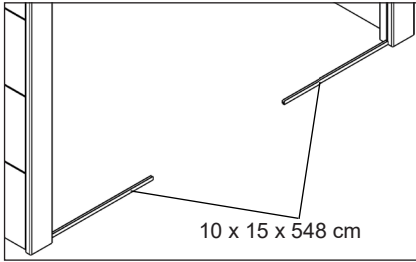
### 6.3.



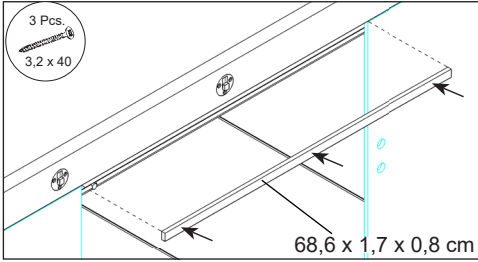
# 6.4.



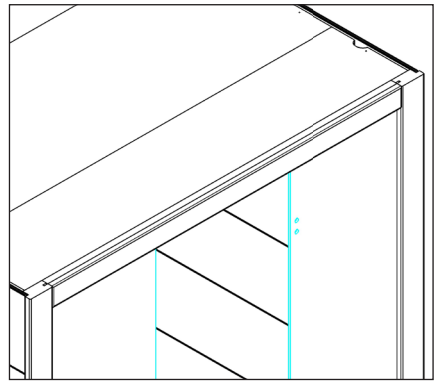
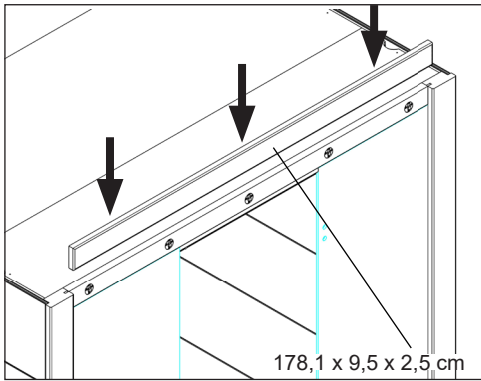
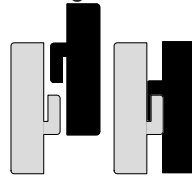
6.5.



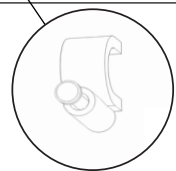
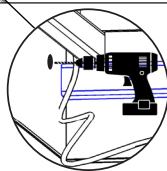
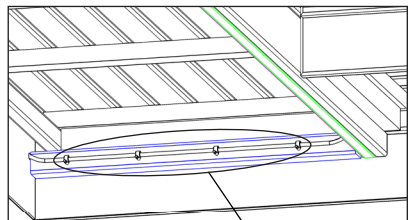
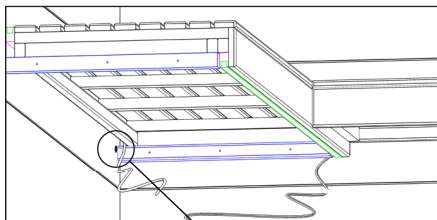
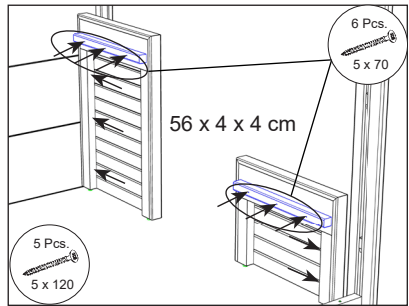
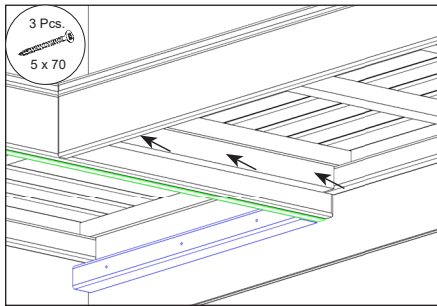
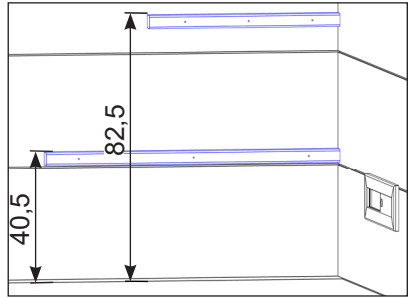
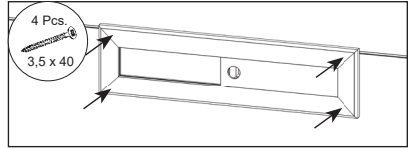
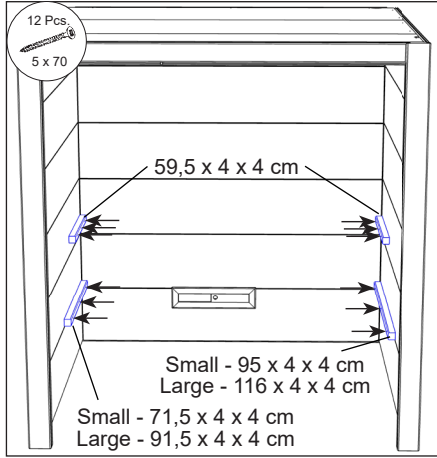


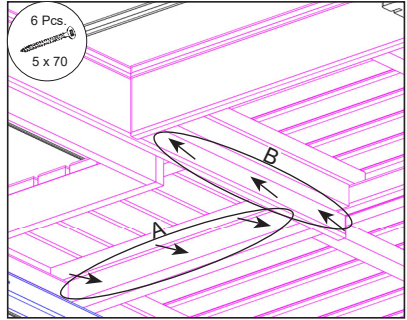
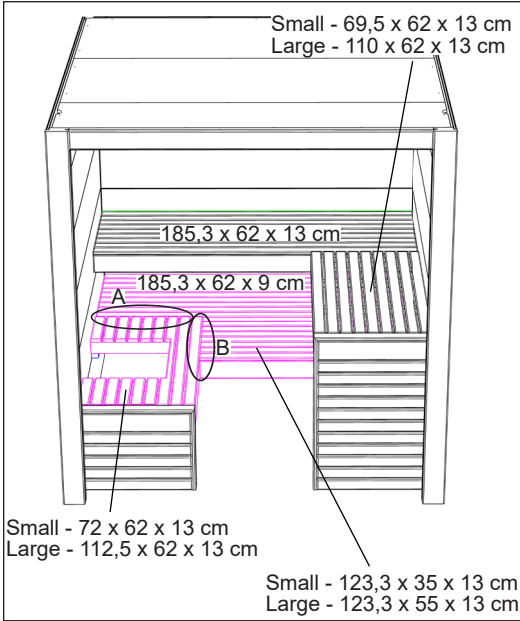


Einhängebeschläge



### 6.6.

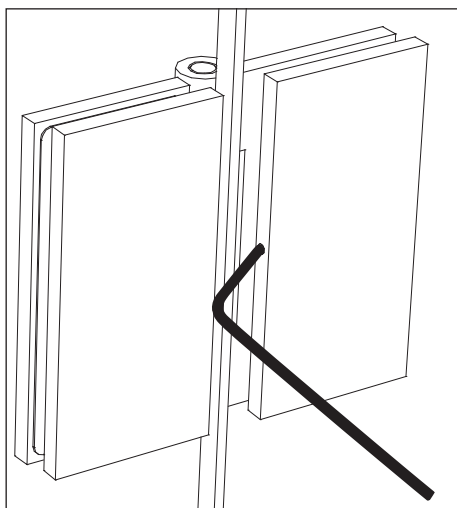
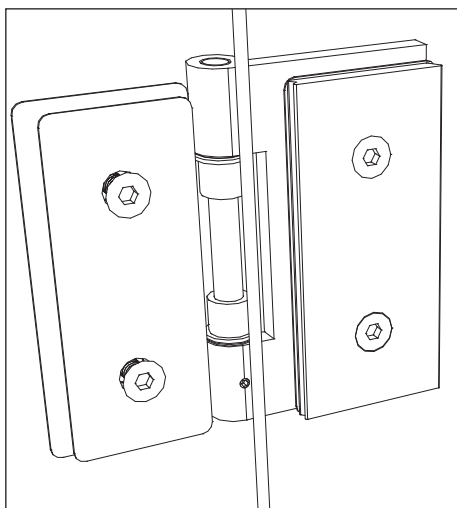
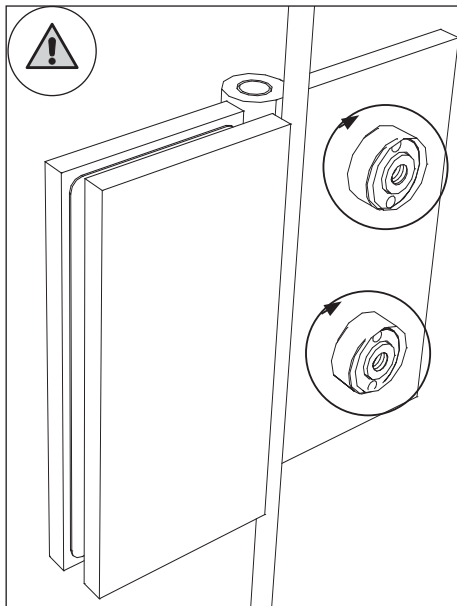
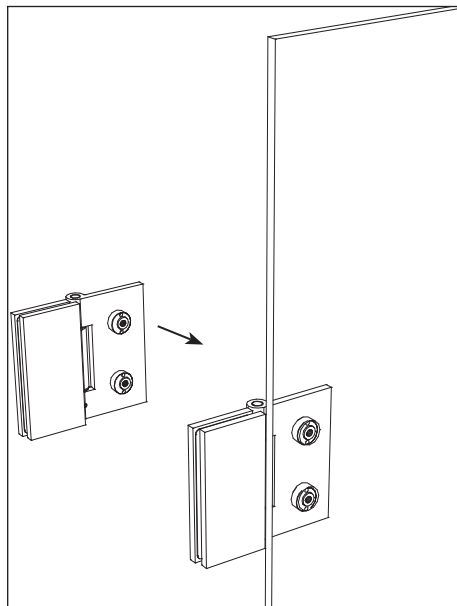
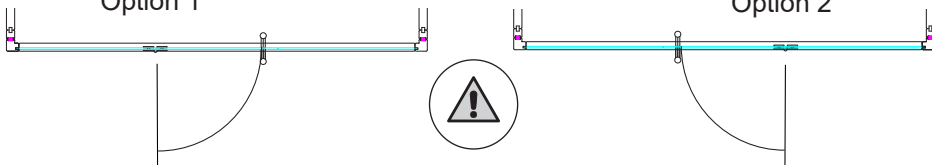




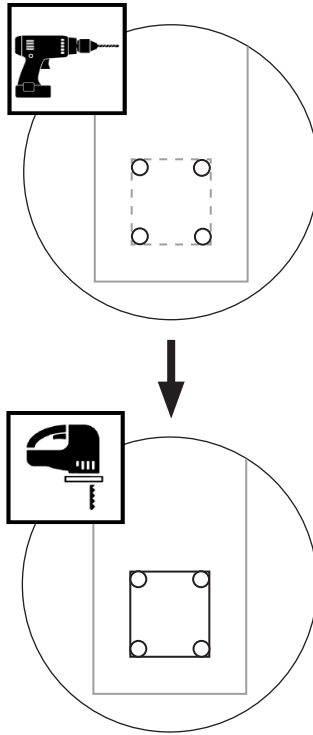
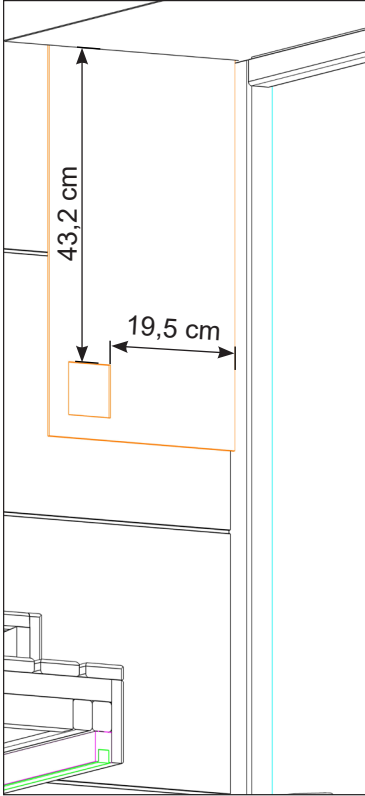
# 6.7.

Option 1

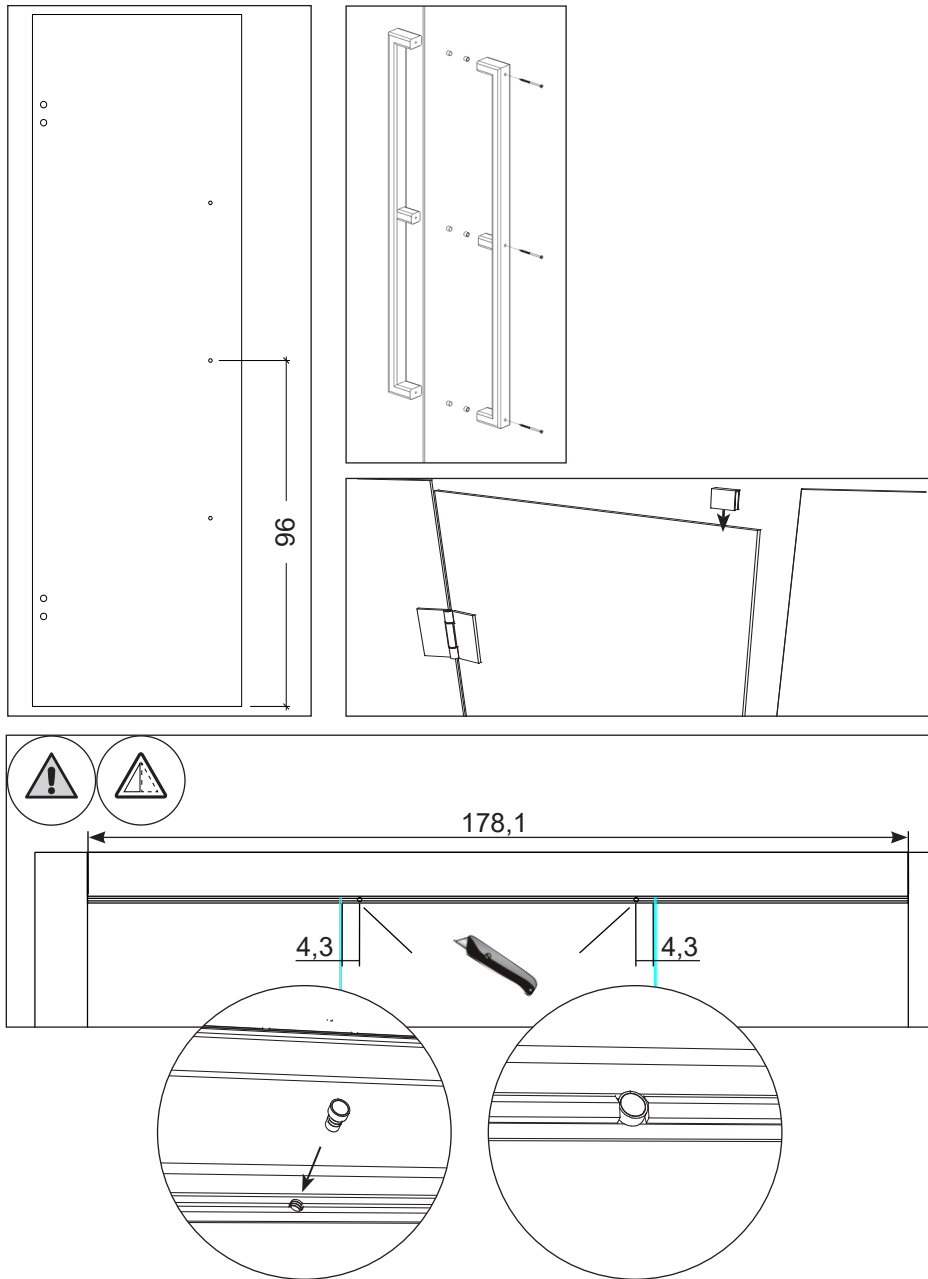
Option 2



### 6.8.



### 6.9.







sentiotec GmbH | Division of Harvia Group | Wartenburger Straße 31, A-4840 Vöcklabruck  
T +43 (0) 7672/22 900-50 | F -80 | info@sentiotec.com | www.sentiotec.com